



# FORM 2

Form 2 has been designed to suit the modern Australian, it is not only clean and extremely modern in its aesthetics but performs exceptionally well with low emissions and powerful heat output. The ability to connect the air intake of the heater to an outside air source, will mean that it can efficiently heat the modern Australian home. A cast iron door and top plate not only resonate the robust quality synonymous with the Nectre brand but also more effectively radiate heat into the home.

[nectre.com.au](http://nectre.com.au)

# nectre FORM 2

- Cast iron and steel construction
- High-quality stainless-steel componentry
- Outside air capable
- Portrait orientated wood heater
- High-quality stainless-steel controls
- Vermiculite lining for optimal combustion
- Curved glass for an increased viewing angle
- Convenient wood storage area
- Tapered firebox to optimise flame path
- Heats up to 180m<sup>2</sup>
- 12.7kW Max average heat output
- 65% efficiency on average
- Emissions of only 0.6g/kg
- Dimensions: 520w x 464.4d x 1103h
- Maximum log width: 330mm
- Weight: 146kg
- Freestanding convection heating



\*Estimated output depending upon operating conditions.  
All dimensions are in millimeters (mm) unless specified otherwise.

BASE OPTIONS WOODSTACKER

Space Heat Output Suitable for medium to large homes (3-4 bedrooms)

Space Heat Output is only a guide based on homes with average insulation, window areas, and 2.4m ceiling heights. Differences in these factors, as well as others like, geographical location, layout of the house, living room size, type of windows all play a part in choosing the right model for your heating needs. Consult your dealer or installation contractor for more information.

\*All dimensions are in millimeters (mm) unless specified otherwise and are shown without side shields fitted (if available). In the interest of product development, Glen Dimplex Australia Pty Ltd reserve the right to change product specifications without prior notice. Refer to the IOM online for the latest up to date information.

## INSTALLATION

All Nectre wood heaters have been tested (Installation Standard AS/NZS 2918) to ensure that they will meet the appropriate safety Standard requirements if the instructions in this manual are followed. Check local building regulations before installing the appliance.

We recommend that the installation of your nectre wood heater be carried out by a qualified installer.

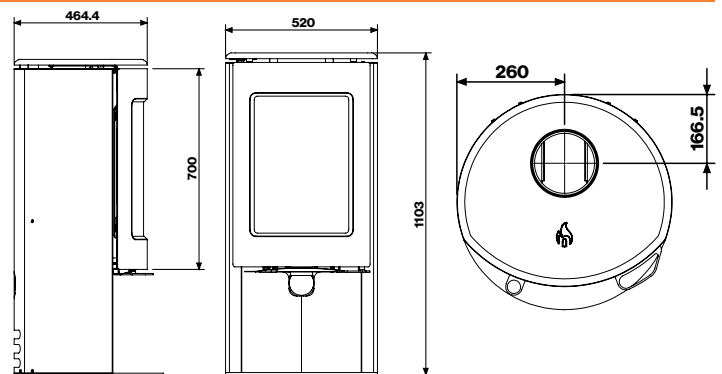
\* Terms and conditions apply, see Installation and Operations Manual for warranty details.



### Glen Dimplex Australia Ltd

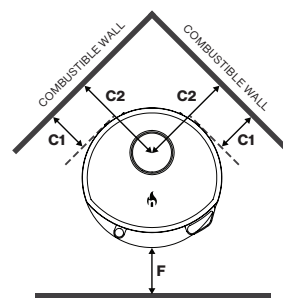
Glen Dimplex Australia Ltd's policy is one of continuous development. We reserve the right to change size and specifications without notice. For the latest product information and warranty details please refer to [www.nectre.com.au](http://www.nectre.com.au). Please refer to the installation and operation instructions before having your Nectre Wood Fire installed. A full set of these instructions is supplied with each fire.

## DIMENSIONS



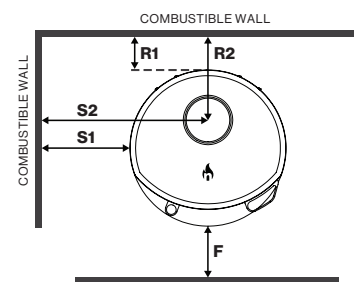
## CLEARANCES

### Corner Installation



Corner - C1	200mm
Corner - C2	394mm
Floor - F	300mm

### Standard Installation



	Solid + Inner Shield OR Decromesh only	Single rear flue shield
Side - S1	500mm	500mm
Side - S2	760mm	760mm
Rear - R1	125mm	150mm
Rear - R2	291.5mm	316.5mm
Floor - F	300mm	300mm

For detailed clearance dimensions, refer to Nectre website.