



# FORM 1

Nectre Form 1 is a fresh and novel take on what a combustion heater can look like, and the only wood heater in the Australian wood heating landscape with its narrow yet deep form factor. The sleek capsule shape is resolved with cast iron, high quality stainless steel controls and curved glass, which offers a wider view of the flames, impressive performance and heating efficiency. The outside air capability and ability to cook on the top plate will make Form 1 especially attractive for compact, eco-friendly housing designs, and make it a better fit for newly constructed housing in general.

[nectre.com.au](http://nectre.com.au)

# nectre FORM 1

- Cast iron and steel construction
- High-quality stainless-steel componentry
- Deep firebox for longer logs
- Outside air capable
- Cooking zone
- Vermiculite lining for optimal combustion
- Curved glass for an increased viewing angle
- Heats up to 90m2
- 6.6kW Max average heat output
- 70% efficiency on average
- Emissions of only 0.7g/kg
- Dimensions: 300w x 550d x 600h
- Maximum log width: 340mm
- Weight: 80kg
- Freestanding radiant heating

\*Estimated output depending upon operating conditions.  
All dimensions are in millimeters (mm) unless specified otherwise.

\*All dimensions are in millimeters (mm) unless specified otherwise and are shown without side shields fitted (if available). In the interest of product development, Glen Dimplex Australia Pty Ltd reserve the right to change product specifications without prior notice. Refer to the IOM online for the latest up to date information.

Base Option	Pedestal
Space Heat Output	Suitable for small to medium homes (2-3 bedrooms)

Space Heat Output is only a guide based on homes with average insulation, window areas, and 2.4m ceiling heights. Differences in these factors, as well as others like, geographical location, layout of the house, living room size, type of windows all play a part in choosing the right model for your heating needs. Consult your dealer or installation contractor for more information.

## INSTALLATION

All Nectre wood heaters have been tested (Installation Standard AS/NZS 2918) to ensure that they will meet the appropriate safety Standard requirements if the instructions in this manual are followed. Check local building regulations before installing the appliance.

We recommend that the installation of your nectre wood heater be carried out by a qualified installer.

\* Terms and conditions apply, see Installation and Operations Manual for warranty details.



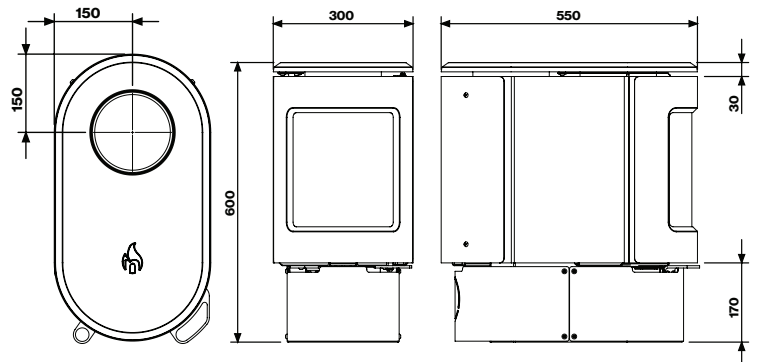
### Glen Dimplex Australia Ltd

Glen Dimplex Australia Ltd's policy is one of continuous development. We reserve the right to change size and specifications without notice. For the latest product information and warranty details please refer to [www.nectre.com.au](http://www.nectre.com.au). Please refer to the installation and operation instructions before having your Nectre Wood Fire installed. A full set of these instructions is supplied with each fire.

[nectre.com.au](http://nectre.com.au)

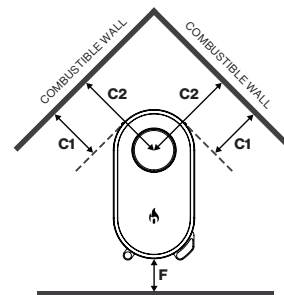


## DIMENSIONS

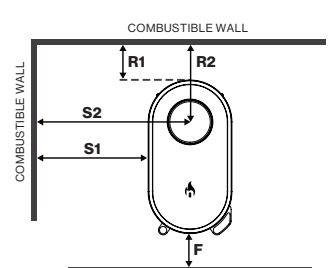


## CLEARANCES

### Corner Installation



### Standard Installation



Flue Shielding	A	B	C	E
900mm rear flue shield	125	350	300	350

For detailed clearance dimensions, refer to Nectre website.