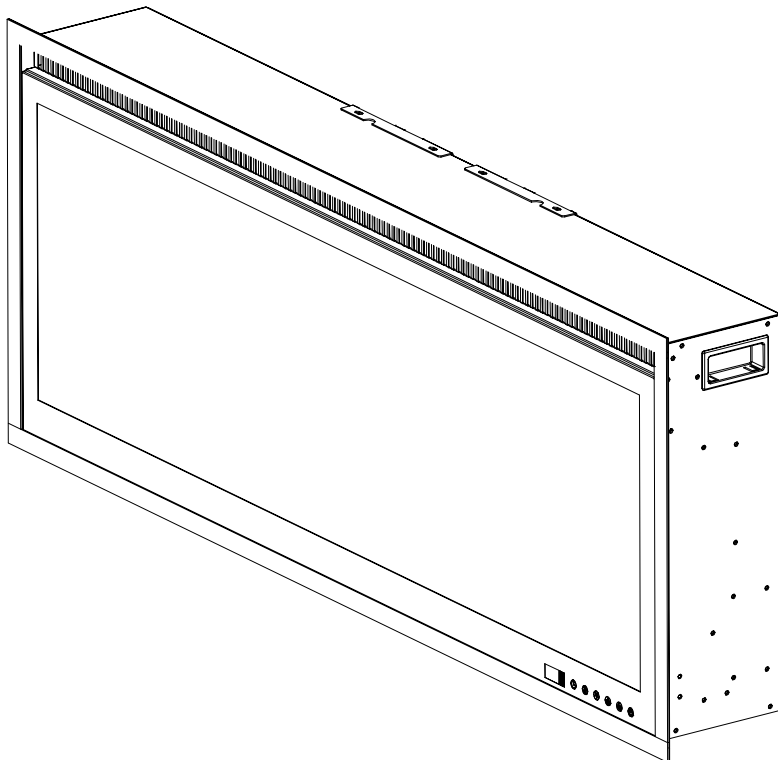




KALORA

NEXUS ELECTRIC FIRE

WI-FI INSTALLATION AND OPERATION MANUAL



MODELS

Nexus 36" SG010100039

Nexus 50" SG010100040

Nexus 60" SG010100041

Nexus 74" SG010100042

Kalora Pty Ltd

Head Office

58 Access Way
Carrum Downs VIC 3201
Australia

Nex Version 1.0 05/03/24

Contents of manual may be updated without notice.

For the latest version of this manual please refer to our website: www.kalora.com.au

+61 3 8579 5900

info@kalora.com.au

www.kalora.com.au

TERMS AND CONDITIONS

GENERAL

By downloading the Kalora Nexus WiFi App, you agree to be bound by these Terms & Conditions. These Terms & Conditions should be read in conjunction with both the Nexus Installation Manual and the Wi-Fi Installation and Operation Manual. Kalora may make updates to the app, please ensure you download all relevant App updates so you understand your obligations under these Terms & Conditions.

THE AUSTRALIAN CONSUMER LAW

Our goods come with guarantees that cannot be excluded under the ACL. You are entitled to a replacement or refund for a major failure and compensation for any other reasonably foreseeable loss or damage. You are also entitled to have the goods repaired or replaced if the goods fail to be of acceptable quality and the failure does not amount to a major failure.

APP USAGE

You, as the consumer are responsible for any costs experienced in accessing, downloading and using this App. This includes but is not limited to fees charged by your internet service provider, smartphone or app data access charges.

You must adhere to the instructions in both the Nexus Operation and Instruction Manual and the Kalora Wi-Fi Installation and Operation Manual when operating the Nexus Electric Fire using the App.

Using the App unlawfully is prohibited.

INTELLECTUAL PROPERTY

You cannot copy, sell, modify, or distribute the App in any way.

DISCLAIMER

Kalora makes no guarantees and excludes any liability or loss in the event the App contains errors, virus, malicious code or any other adverse functions unknown to Kalora as a result of downloading the App.

WHAT YOU NEED

- Kalora Nexus Electric Fire appliance
- 2.4G Wi-Fi Router capable of supporting 802.11b/g modes with an active internet connection
- Smart Device that operates:
 - Apple iOS 10.0+
 - Android 5.0+
- “Tuya Smart” App installed to your Smart Device. Click on the following QR codes to access the downloads:

FOR APPLE IOS



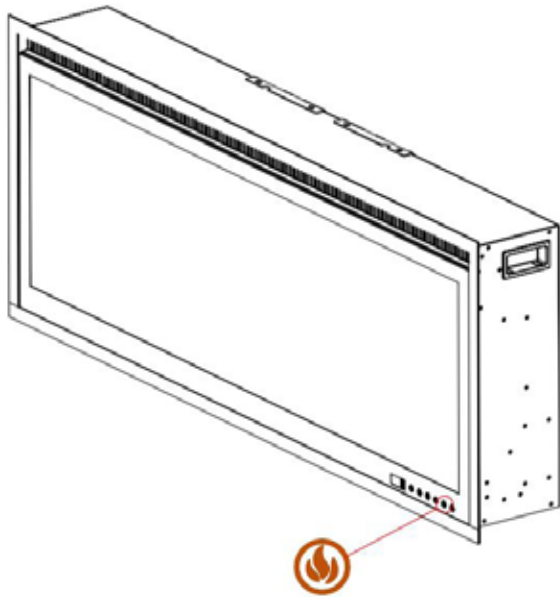
FOR ANDROID



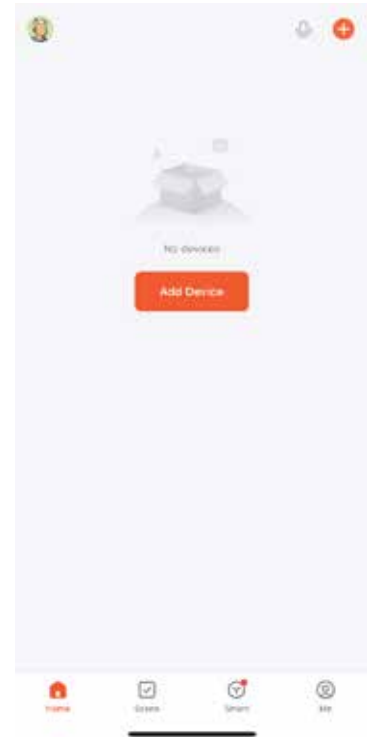
Wi-Fi AND DEVICE SET UP

1. Turn on the Nexus Electric Fire
2. Open the Tuya App, you will need to sign up if you are a first time user.
3. Once you have registered in Tuya, access the “Add Devices” screen. On the Smart Device switch Bluetooth ON.

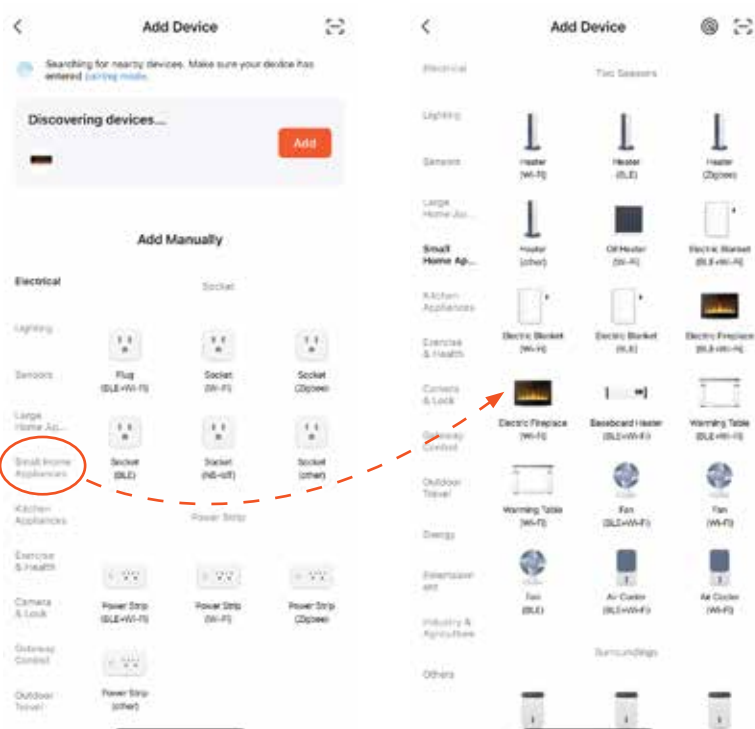
4. Using the touch control switch panel on the Electric fire, press and hold the “flame” selector for 15 seconds or until “CCC” appears on the LCD screen, “CCC” should be blinking.



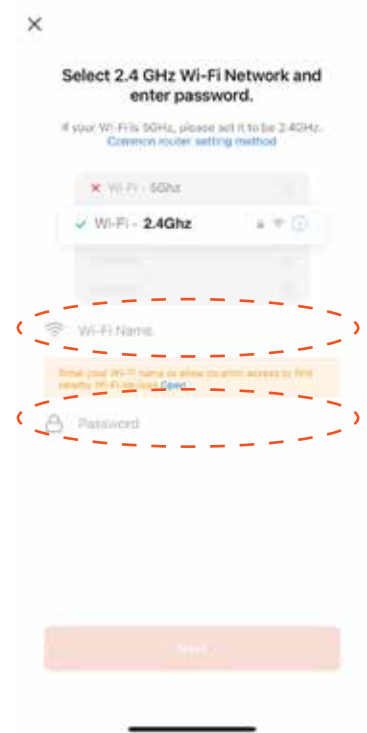
5. Select “Add Device”.



6. Select “Small Home Appliances” scroll through and then select “Electric Fireplace”.

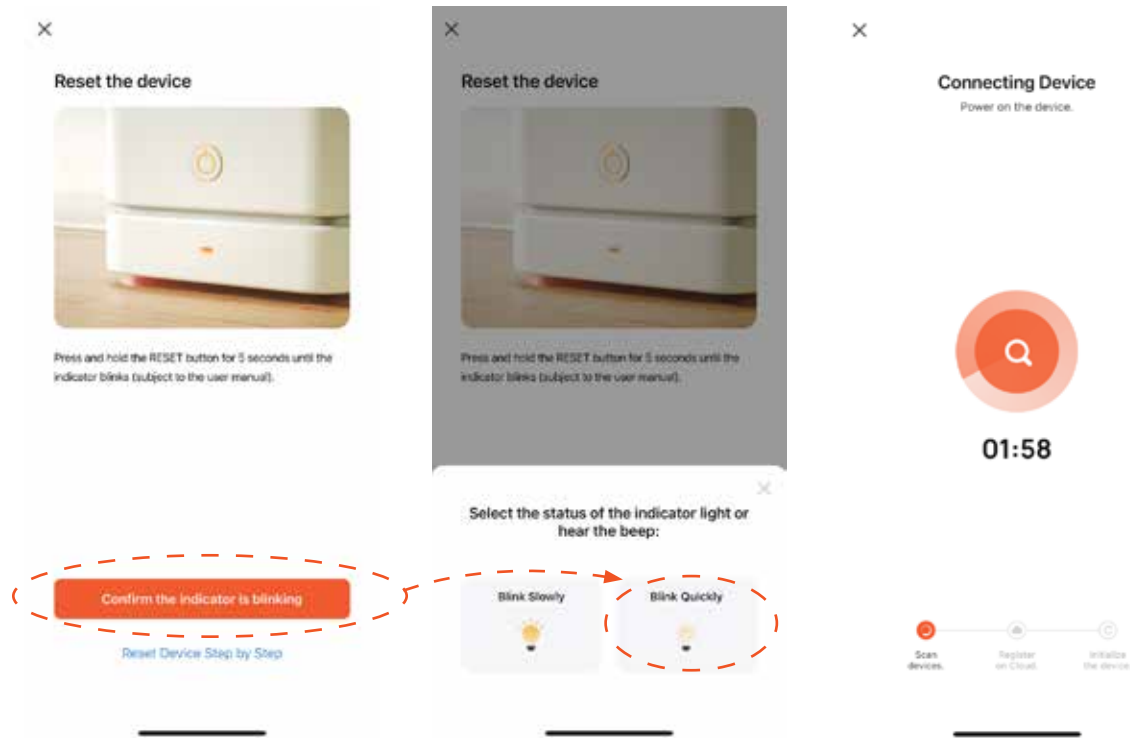


7. Add the Wi-Fi Network details and password:

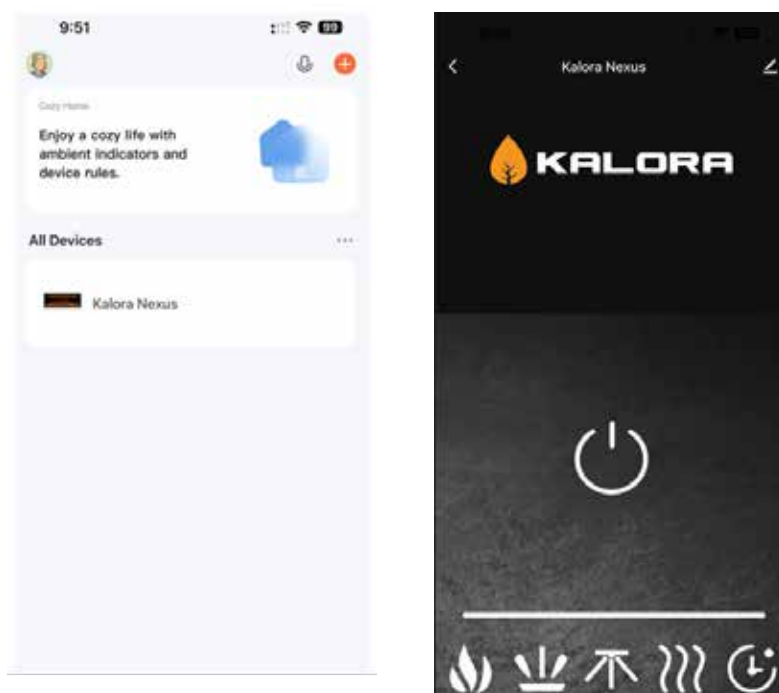


Wi-Fi AND DEVICE SET UPcontinued

8. On the Electric Fire touch control switch panel display, ensure “CCC” is blinking then confirm on the App. Select “Blink Quickly” then it could take up to 2 minutes for the Smart Device and the Electric Fire to pair.



9. Once paired the Electric Fire will appear under “All devices”. To operate the Electric Fire select the “Kalora Nexus Electric Fireplace” and follow the operation prompts:



VOICE CONTROL WITH AMAZON ALEXA OR GOOGLE HOME

The Kalora Nexus Electric Fire includes smart home connectivity using voice control via either Amazon Alexa or Google Home apps, for on/off control.

CONNECTING TO AMAZON ALEXA:

1. Ensure the Amazon Alexa App and Alexia smart device (e.g Echo Dot, Echo Show etc) are installed and operating. If not follow Amazon's set up guides.
2. In the Amazon Alexia App select "Skills & Games" then search Tuya Smart and select.
3. Under the Tuya Smart Skill select "Enable"
4. You will be redirected to the accounts link page, type in your Tuya Smart account and password, your country/region then select link your Tuya Smart account.
5. Link with verification code then open Tuya Smart APP. Under the Tuya APP select "Me" then select the Alexia then link.

Now you can control your Nexus Electric Fire appliance using your Amazon smart device.

Examples:

Turning on the Appliance – "Alexia turn on Kalora Nexus Electric Fireplace"

Turning off the Appliance – "Alexia turn off Kalora Nexus Electric Fireplace"

NOTE: You can change the name of the appliance in Tuya, every time you change the appliance's name on the Tuya Smart APP, Echo must re-discover before you can control the appliance.

CONNECTING TO GOOGLE HOME:

1. Ensure the Google Home App and Google smart device (e.g Google Nest etc) are installed and operating. If not follow Google's Home set up guides.
NOTE: that you can only use one Google account to control "Home Control Action"
2. On the homepage of the Google Home App select the "+" then select "Set Up Device", then select "Works With Google".
3. Under "Set Up Devices" search and select "Tuya Smart", read prompt then select "Continue", finally select "Agree and Link" and return back to the home page.
4. Now you can control your Nexus Electric Fire appliance using your Google smart device.

Examples:

Turning on the Appliance – "OK Google turn on Kalora Nexus Electric Fireplace"

Turning off the Appliance – "OK Google turn off Kalora Nexus Electric Fireplace"



Kalora Pty Ltd
58 Access Way, Carrum Downs
Victoria 3201
Australia