

 blaze



B520

# blaze B520

Designed to be installed into either a full masonry cavity or with optional zero clearance kit. Modern minimalistic frame to suit any modern home.

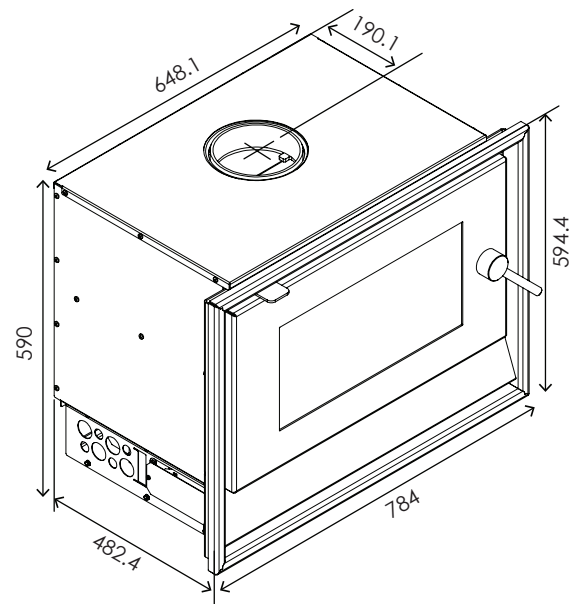
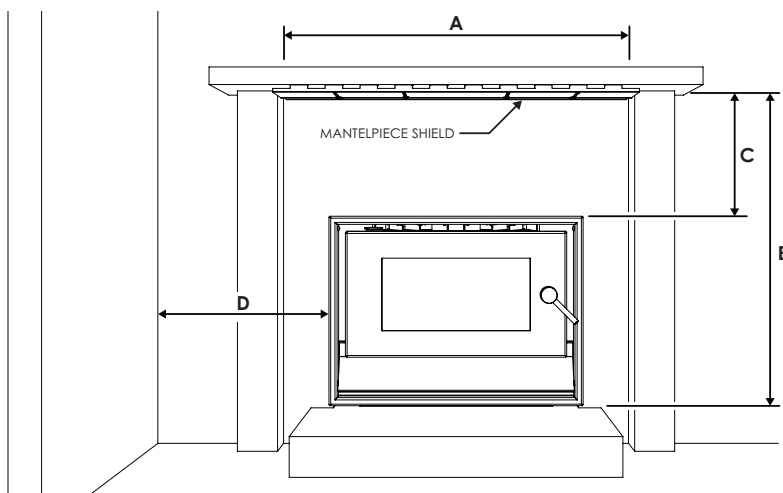
- Easy to use features
- 3 speed remote control fan
- Simple design fits well in any living space
- 3 speed remote control fan comes standard
- Designed in Australia
- Heats up to 180m<sup>2</sup>
- 6mm steel construction

Type	In-built
Heat Output	Ave 7.2kW
Efficiency	Ave 65%
Emissions	1.3g/kg
Max Log Size	430mm



\*All dimensions contained within this document are in millimeters (mm) unless specified otherwise. In the interest of product development, Glen Dimplex Australia Pty Ltd reserve the right to change the specifications without prior notice of the Blaze range products. Refer to the Installation Manual for clarification on the clearances.

## Installation & Clearances



### CLEARANCES MASONRY INSTALLATION

B520

A (Width between mantelpiece columns)	900mm
B (Height to mantelpiece from hearth)	970mm
C (Height to mantelpiece above air vents)	400mm
D (Distance to side wall from side of fascia)	200mm

### Glen Dimplex Australia Ltd

Glen Dimplex Australia Ltd's policy is one of continuous development. We reserve the right to change size and specifications without notice. For the latest product information and warranty details please refer to [www.blaze.com.au](http://www.blaze.com.au). Please refer to the installation and operation instructions before having your Blaze Wood Fire installed. A full set of these instructions is supplied with each fire.